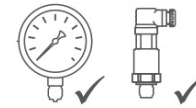


CONSTRUCTIVE PROPERTIES

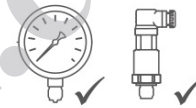
	STANDARD	OPTIONAL
Scale Unit	bar	-
Scale Range (PN)	0/100 0/160 0/250 0/400 0/600 0 - 1000	
Upper Body Material	AISI-316L	-
Material of Membrane	AISI-316L	-
Flanged-Process Connection Material	AISI-316L	-
Instrument Connection	G 1/2"	-
Assembling	Direct Connection	Capillary Clamp (Max. 4 m.) Cooling Tower Capillary with SS armour covered (Max. 4 m.)
Process Connection	Flanged	-
Filling Liquid	FDA Approved Oil	Neobee
Sealing	Viton	PTFE
Accuracy Class % (Will be added to instrument accuracy)	±0,5% Direct Mounting	±1% Capillary Mounting

USAGE PROPERTIES

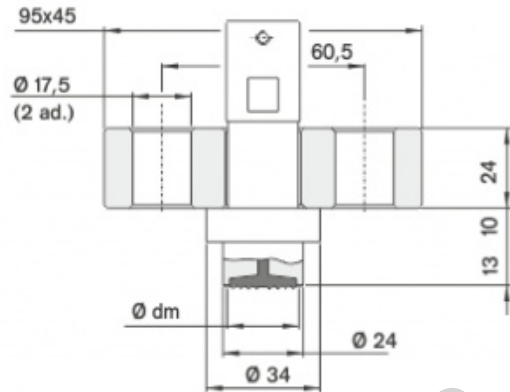
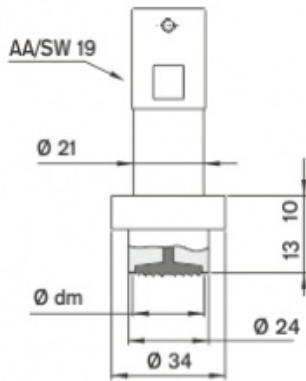
Storage Temperature	-40 ... +70 °C	-
Process Temperature	-45/+150°C	-
Leakage Test	Helium Sniffer Leakage Test	
Conformity	3-A NACE MR 1075 Oxygen Service DIN ANSI	



DS0569



DS0569-10

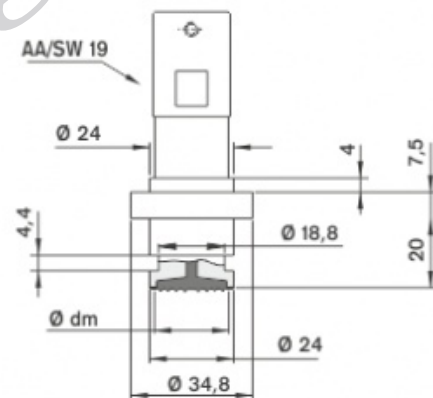


Cuff connection : DN 24 PN 600 bar

Ø	Diaphragm Ø dm	Model #
100	23	DS 0569 00
160		

Special flange : DN 24 PN 1000 bar

Ø	Diaphragm Ø dm	Model #
100	23	DS 0569 10
160		



Cuff connection : DN 24 PN 600 bar

Ø	Diaphragm Ø dm	Model #
100	23	DS 0569 01
160		